

interlub.com




Clean and steady.

High-performance lubricants for three-piece food canning and closures.



Lubricants that
boost your
productivity

**RESHAPING
THE INDUSTRY.**



Less intervention. Reliable output.

- Reduce the scrap rate.
- Lower wear at critical points.
- Expend less on spare parts.
- Enhance quality production.
- Fewer unplanned interruptions at production speed.
- Preserve seam integrity.
- Clean performance on steel and welded joints.
- Meet food safety requirements.
- Improve lubricant consumption.

RESHAPING
THE INDUSTRY.

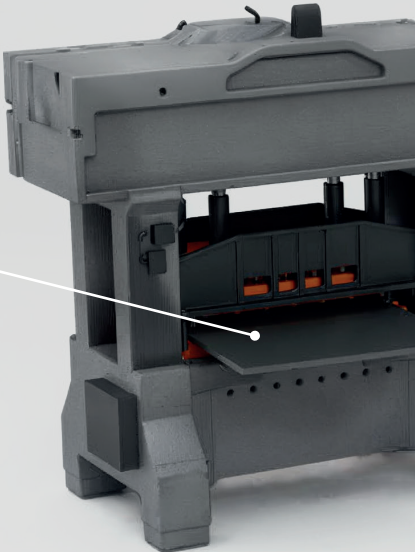
Reshape your process.

Our innovative approach to high-performance lubrication guarantees a better quality, protection and consistency in every line of production. This is strategic lubrication.

DRD

Can Body Forming System

Stamp Fluid



CAN FLANGING

Flanging Forming System

Interoil FGL GC



SHELL SYSTEM

Uncoiler Mechanical System

Liplex HP

Hydraulic Positioning System

Gear Synt

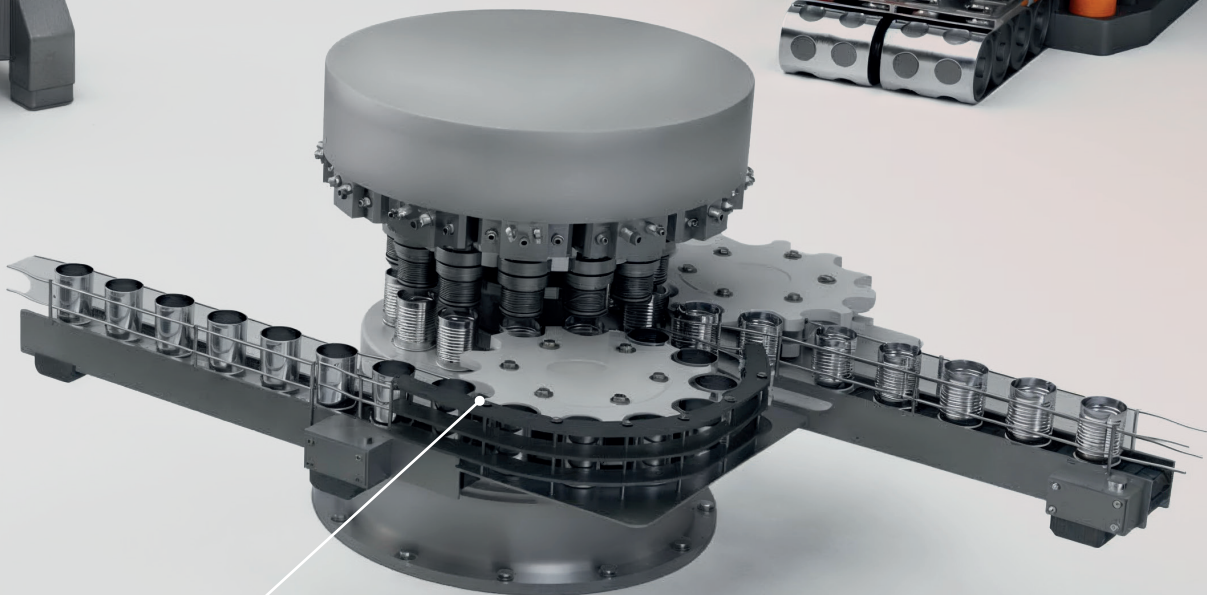
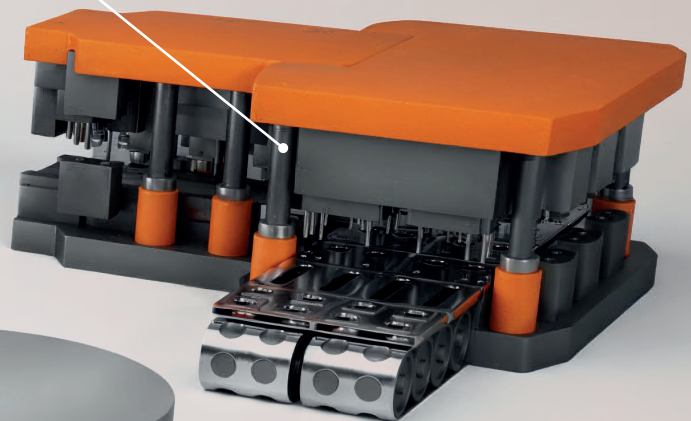
Cutting and Forming Lubrication

Interoil AI / Stamp Fluid

EOE CONVERSION SYSTEM

Tab Forming and Assembly Lubrication

Stamp Fluid/
Interoil FGL



CAN BEADING

Beading forming system

Interoil FGL

CLOSURES AND ENDS

Interoil Dry Cut C



Strategic lubrication:

A new era of achieving your production goals.

Zero blind spots.

Food contact turns every decision into a compliance decision. In three-piece canning, lubrication directly affects seam quality, line cleanliness, scrap rates, audits and uptime.

Our lubricants are developed to work with your materials, speeds and control. And we don't stop at the product.



Food safety guaranteed.

Ensure the safety of your production with high-performance lubricants that comply with the regulatory guidelines of organisms like NSF International.

We offer lubricants with both NSF registration and FSSC 22000 certification that deliver industry food-grade performance.

This is not lubrication as usual.

This is **strategic
lubrication**
for metal packaging.

At Interlub, we design products based on a deep understanding of your specific process and needs, treating every challenge as an opportunity to defy the ordinary limits of the industry.

When lubrication is aligned with the process, the entire line finds a new rhythm. We are here to help you make it happen.



Contact us:
info@interlub.com

INTERLUB GROUP

Lateral Sur Periférico Norte 559
Parque Industrial Belenes Norte
C.P. 45150,
Zapopan, Jalisco, México

Tel: (+52) 33 3793 8823
info@interlub.com

INTERLUB GROUP COLOMBIA

Calle 4B #35A-11
C.P. 760046, Cali
Valle del Cauca, Colombia

Tel: (+57) 314 597 69 53
ilgcolombia@interlub.com

INTERLUB BRASIL

Av. Humberto de Alencar Castelo Branco 1260
Galpão 3, Bairro Assunção, CEP: 09850-300
São Bernardo do Campo – SP

Tel: (+55) 11 4124-8436
sac@interlub.com